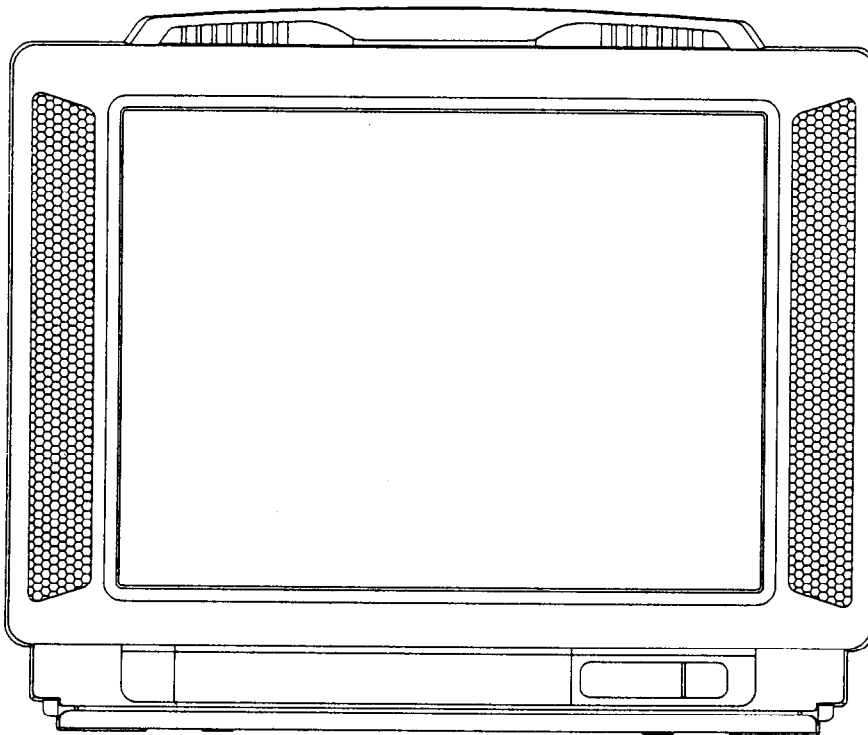


Yoshida - 074

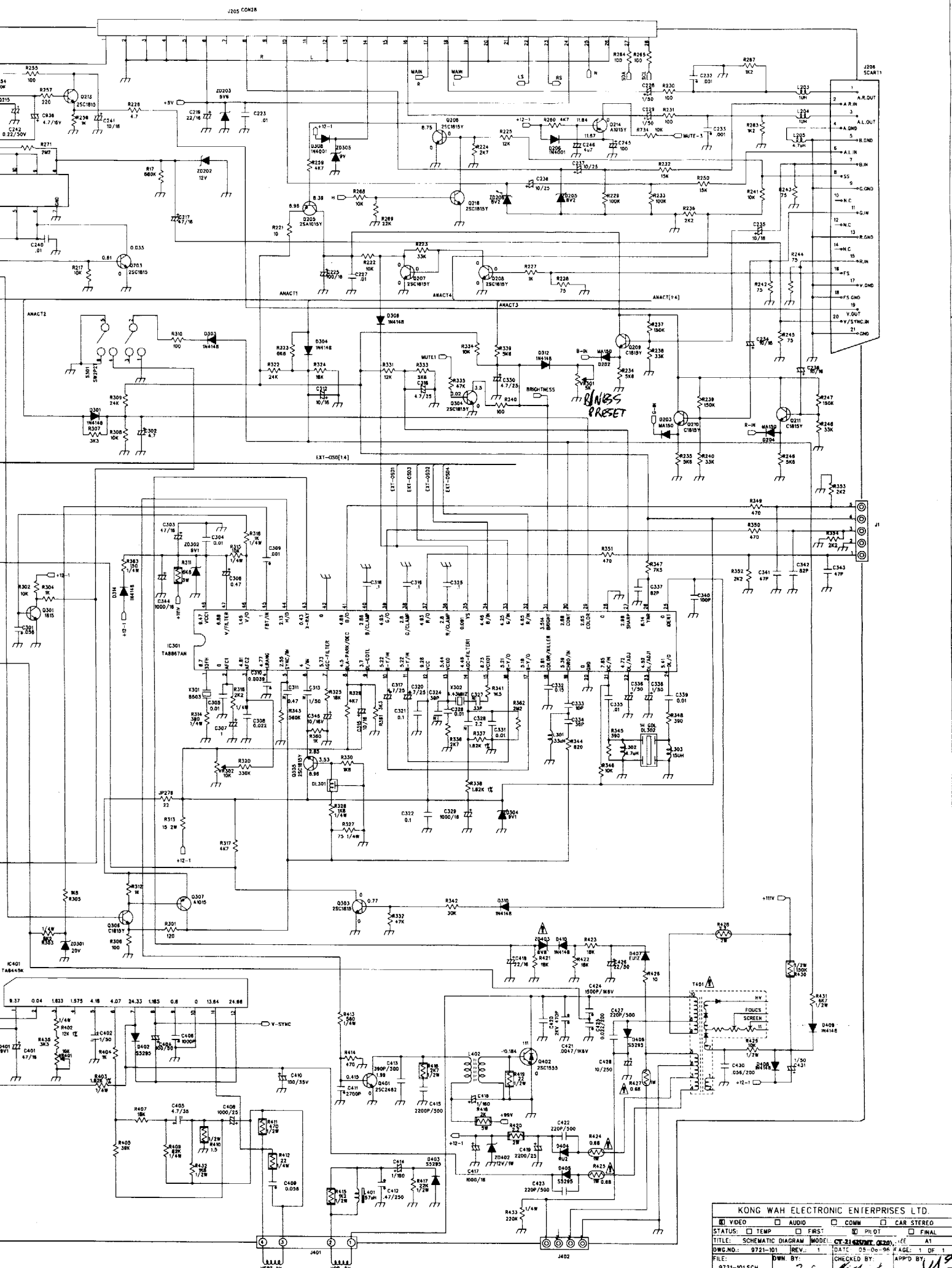
# AKAI SERVICE MANUAL



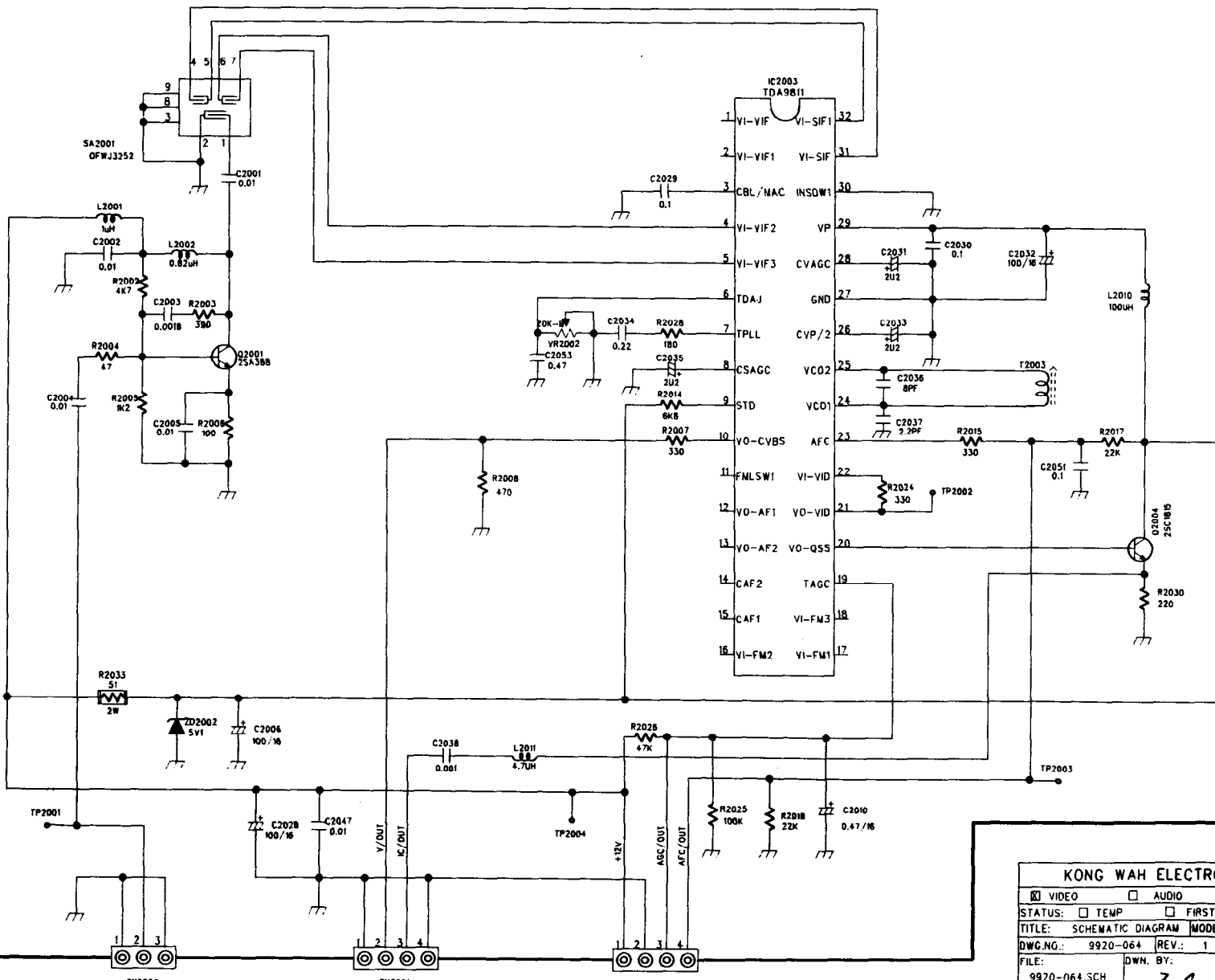
Solid State 21" Colour Television Receiver

**CT-2162UNT** **B20**









**KONG WAH ELECTRONIC ENTERPRISES LTD.**

<input checked="" type="checkbox"/> VIDEO	<input type="checkbox"/> AUDIO	<input type="checkbox"/> COMM	<input type="checkbox"/> CAR STEREO
STATUS: <input type="checkbox"/> TEMP	<input type="checkbox"/> FIRST	<input checked="" type="checkbox"/> PILOT	<input type="checkbox"/> FINAL
TITLE: SCHEMATIC DIAGRAM		MODEL: CT-210000 (120)	SIZE: A4
DWG. NO.: 9920-064	REV.: 1	DATE: 05-06-96	PAGE: 1 OF
FILE: 9920-064.SCH	OWN. BY: 2.9	CHECKED BY: <i>[Signature]</i>	APP'D BY: <i>[Signature]</i>



